

USER'S MANUAL

Impact Receipt Printer

BTP-M280



Shandong New Beiyang Information Technology Co., Ltd.

Contents

GENERAL SAFETY INSTRUCTION	2
1 OVERVIEW	3
1.1 OUTLINE.....	3
1.2 FEATURES	3
2 SPECIFICATIONS	4
2.1 MAIN SPECIFICATION.....	4
2.2 CUTTER SPECIFICATION.....	5
2.3 PAPER SPECIFICATION.....	5
2.3.1 <i>Continuous paper</i>	5
2.3.2 <i>Marked paper</i>	5
2.3.3 <i>Recommended paper</i>	错误! 未定义书签。
2.4 RIBBON SPECIFICATION	6
2.4.1 <i>Ribbon model</i>	6
2.4.2 <i>Demensions</i>	6
2.5 PRINT AND TEAR-OFF POSITION	7
2.5.1 <i>Print position</i>	7
2.5.2 <i>Tear-off position</i>	7
3 OUTLINE AND PARTS	8
3.1 OUTLINE AND PARTS	8
3.2 LEDs AND BUZZER	9
4 INSTALLING	10
4.1 UNPACKING	10
4.2 MOUNTING THE PRINTER	10
4.2.1 <i>Horizontal mounting</i>	10
4.2.2 <i>Wall-mounting (optional)</i>	11
4.3 CONNECTING TO A GROUND LINE.....	11
4.4 CONNECTING THE POWER ADAPTER	12

4.5 CONNECTING USB SIGNAL CABLE	12
4.6 CONNECTING OPTIONAL SIGNAL CABLE	12
4.7 CONNECTING THE CASH DRAWER	12
4.8 INSTALLING RIBBON.....	12
4.9 LOADING PAPER ROLL.....	13
4.9.1 Paper type.....	13
4.9.2 Loading/replacing paper roll	13
4.10 PRINTER SELF-TEST	14
4.10.1 Turn on the printer.....	14
4.10.2 self-test.....	14
4.11 INSTALLING THE PRINTER DRIVER.....	15
4.11.1 Typical setup.....	15
4.11.2 Advanced setup.....	17
4.11.3 Installing the USB device driver.....	19
4.12 HOW TO USE THE DRIVER.....	21
4.12.1 User defined page	21
4.12.2 Parameter explanation	22
5 MAINTENANCE.....	28
5.1 ROLLER CLEANING	28
5.2 MARK SENSOR CLEANING	28
5.3 CLEANUP PAPER JAM.....	28
6 INTERFACE SIGNAL	30
6.1 USB INTERFACE	30
6.2 PARALLEL INTERFACE	30
6.3 SERIAL INTERFACE	31
6.4 ETHERNET.....	31
6.5 WLAN INTERFACE BOARD.....	32
6.6 POWER INTERFACE DEFINITION	33
6.7 CASHDRAWER DEFINITION	33

7 TROUBLESHOOTING	34
7.1 CUTTER ERROR TROUBLESHOOTING.....	34
7.2 PRINTER DOESN'T WORK.....	34
7.3 ERROR LED AND BUZZER.....	34
7.4 PROBLEMS DURING PRINTING	34
7.5 PROBLEMS DURING USING DRIVER	35

Declaration

Information in this document is subject to change without notice. SHANDONG NEW BEIYANG INFORMATION TECHNOLOGY CO., LTD. (hereinafter referred to as "SNBC") reserves the right to improve products as new technology, components, software, and firmware become available. If users need further data about this product or have any doubt about safety issues that might arise from using it, please feel free to contact SNBC or your local agents.

No part of this document may be reproduced or transmitted in any form or by any means, electronic or mechanical, for any purpose without the express written permission of SNBC

Copyright

Copyright © 2007 by SNBC



Printed in China

Version 2.0

Trademarks

SNBC registered trademarks are: **SNBC® BEIYANG®**

Warning and Caution

-  Warning: Items should be strictly followed to avoid damages to body and equipment.
-  Caution: Items with important information and prompts for operating the printer.

The quality control system of SNBC has been approved of the following certification.



(DNV) ISO9001:2000

The environmental control system of SNBC has been approved of the following certification.



(DNV)ISO14001:2004

General Safety Instruction

Before installing and using the printer, please read the following items carefully:

1. Safety Instructions



Warning: Do not touch the tear-off bar of the printer.



Warning: The print head is at a high temperature during printing or just after operation, do not touch it and its peripherals for reasons of safety.



Warning: The print head is an ESD-sensitive device. To prevent damage, do not touch either its printing parts or connecting parts.

2. Cautions

- 1) Install the printer on a flat and stable surface.
- 2) Reserve adequate space around the printer so that convenient operation and maintenance can be performed.
- 3) Keep the printer away from water source, direct sunlight, strong light and heat.
- 4) Do not use or store the printer in a place exposed to heat or fire, moisture or other pollution.
- 5) Do not place the printer on a place exposed to vibration or impact.
- 6) Avoid exposing the printer to condensation. In case of condensation, ensure it has been completely removed before turn on the power.
- 7) Connect the power adapter to an appropriate grounded outlet. Avoid sharing a single electrical outlet with large power motors and other devices that may cause the fluctuation in voltage.
- 8) The socket-outlet should be installed near the equipment and should be easily accessible.
- 9) Turn off the power if you do not use the printer for a long time.
- 10) Do not spill water or other electric substances (like metal) on the printer. If this happens, turn off the power immediately.
- 11) Do not allow the printer to start printing when there is no paper, otherwise the print head and platen roller will be damaged.
- 12) To ensure print quality and normal lifetime, use recommended or good quality paper and ribbon.
- 13) Shut down the printer when connecting or disconnecting interface connectors to avoid damage to the control board.
- 14) Do not disassemble the printer without guidance from a technician, even for the purpose of repair.
- 15) Keep this manual safe and at hand for reference purpose.

1 Overview

1.1 Outline

The BTP-M280 is a 9-pin serial impact dot matrix receipt printer offering high quality, high speed, and stable performance. It is widely used in real-time printing on-site, such as POS system, kitchen and finance applications.

The BTP-M280 can be connected with other devices via USB, parallel, serial, Ethernet and WLAN interface. USB interface is a fixed interface of the printer, and the other interfaces are optional interface of the printer. The BTP-M280 offers drivers and applications under WINDOWS 98/NT4.0 /2000/2003/XP/Vista.

1.2 Features

- Bi-directional printing.
- Two color printing
- Bi-directional carriage return
- Support multi-layer paper
- Easy paper loading
- Easy operation and maintenance.
- Support marked paper and continuous paper for print.
- Compatible with various wide paper.
- Cutter paper automatically
- Cash drawer control connector.
- Communication interface optional.
- Printer firmware updated online.

2 Specifications

2.1 Main Specification

Item		Specification			
Print mode		9-pin serial impact dot matrix			
Print speed		Max. 4.7LPS (400 dots/line)			
Print width		Max. 400(half dots)/200(full dots)			
Paper	Paper type	Continuous paper or marked paper			
	Single layer	Paper width: 80±0.5mm, 76±0.5mm, 69.5±0.5mm, 57.5±0.5mm; Paper thickness: 0.06—0.085mm			
	Multi-layer paper (1 original+1 copies)	Paper width: 80±0.5mm, 76±0.5mm, 69.5±0.5mm, 57.5±0.5mm; Paper thickness: 0.05—0.08mm, total thickness≤0.14 mm			
Character	Character type	Font A: 9×9 Font B: 7×9 Chinese: 16×16			
	Characters/line (Default)		80/76mm	69.5mm	57.5mm
		Font A	33 CPL	30 CPL	25 CPL
		Font B	40 CPL	36 CPL	30 CPL
		Chinese	22 CPL	20 CPL	16 CPL
	Character size (Default)	Font A: 1.6×3.1mm	Font B: 1.2×3.1mm	Chinese: 2.7×2.9mm	
Characters/inch (Default)	Font A: 13.3CPI	Font B: 16CPI	Chinese: 8.9CPI		
Data buffer	Receive buffer	4KB			
	NV bit image data area	128KB			
	User NV memory	8KB			
Ribbon specification		ERC-38 ribbon cartridge			
Ribbon lifetime	ERC-38(P)	4,000,000 characters			
	ERC-38(B)	3,000,000 characters			
	ERC-38(B/R)	Black: 1,500,000 characters Red: 750,000 characters			
Communication interface		USB (Fixed) + IEEE1284/RS-232/Ethernet / Wi-Fi interface (optional)			
Cash drawer connector		1~2 cash drawers			
Power supply		DC 24V±5% average current 1.5 A			
Reliability	Printing Mechanism lifetime	10,000,000 lines			
	Print head lifetime	150,000,000 characters			
	Cutter	1,000,000 times			
Operating temperature and humidity		5~45℃, 20~90%RH (40℃)			
Storage temperature and humidity		-40~60℃, 20%~93%RH (40℃)			
Dimensions		160mm(W)×245mm(D)×145mm(H)			
Weight		2.9kg			

2.2 Cutter specification

Item	Parameters	Remark
Cut method	Sliding blade	
Cut time	600ms	Time for one cutter action
Cut interval	2s	30 cuts/minutes (Max.)
Adapt Paper	65~100 μ m	Normal paper with same thickness
Operation voltage	24VDC	
Max. repose current	1.2A	24VDC
Cutter lifetime	1,000,000cuts	Under standard test conditions

2.3 Paper Specification

2.3.1 Continuous paper

1) Normal paper

- Paper width: 80 \pm 0.5mm/76 \pm 0.5mm/69.5 \pm 0.5mm/57.5 \pm 0.5mm
- Max. paper roll O/D: Φ 83mm
- Paper roll core: ID Φ 12.5mm; OD Φ 16mm
- Paper thickness: 0.06—0.085mm

2) Multi-layer paper (1 original +1 copies)

- Paper width: 80 \pm 0.5mm/76 \pm 0.5mm/69.5 \pm 0.5mm/57.5 \pm 0.5mm
- Paper thickness: 0.05—0.08mm, total thickness \leq 0.14 mm

⚠ Caution:

- ✧ Use only multi-layer paper (1 original + 1 copies) of which the original layer on contact the print head thicker than its under-layer.

2.3.2 Marked paper

Besides the requirements of the continuous paper, marked paper should follow the following requirements:

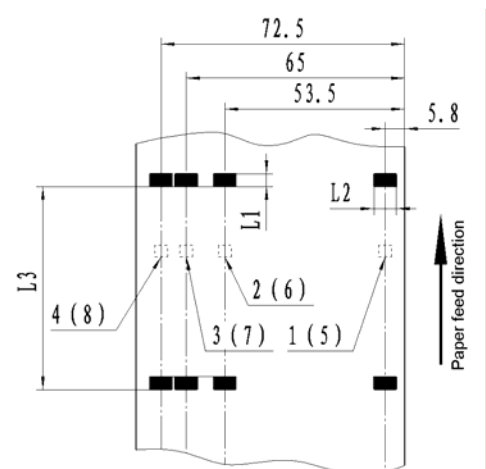
1) Mark place

- BTP-M280 printer reserves 8 positions for mark sensor, which can detect marks on either the front side or the reverse side of the paper. Position of the sensor is as shown in the figure.
- The position of the mark sensor can be adjusted according to user's need. The default position (Position 1) is on the right side of the paper on the front side (paper feed direction) as shown in the figure.

2) B/M size should meet the requirement as follow:

- Mark width (L1): $5\text{mm} \leq L1 \leq 10\text{mm}$
- Mark height (L2): $12\text{mm} \leq L2 \leq \text{paper width}$
- Distance between marks (L3): $20\text{mm} \leq L3 \leq 500\text{mm}$

- 3) The black mark's reflectivity should be less than 15%, and the other part's reflectivity should be more than 85%. There should be no image between the two marks, such as the advertisement etc.



⚠ Caution:

- ✧ Do not paste the paper to the core.

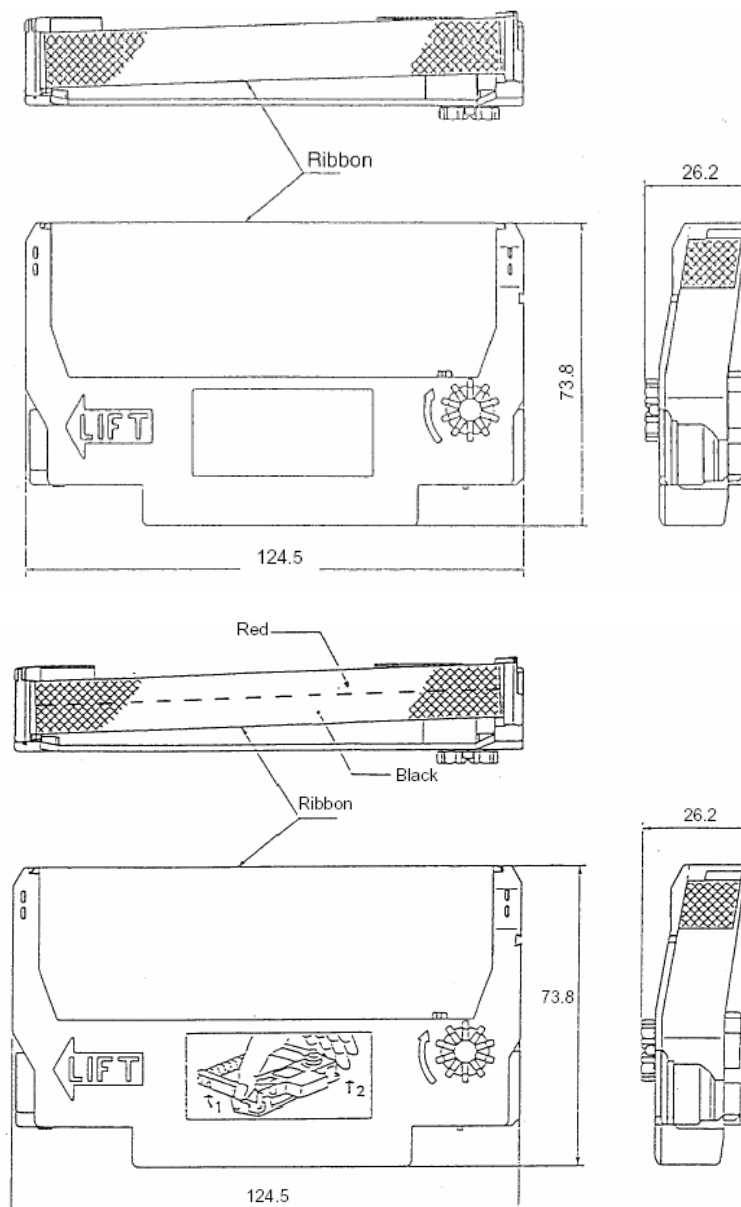
2.4 Ribbon specification

2.4.1 Ribbon model

Model	Color
ERC-38 (P)	Purple
ERC-38 (B)	Black
ERC-38 (B/R)	Black / Red

2.4.2 Demensions

Unit: mm

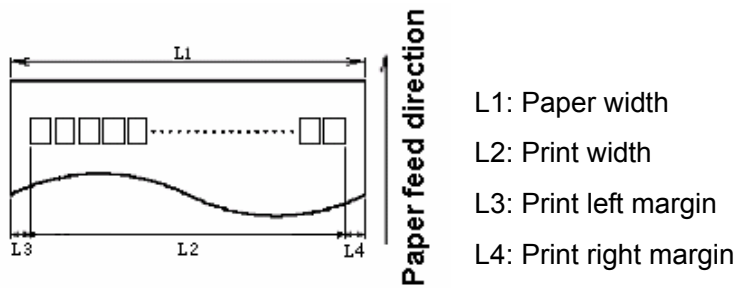


⚠ Caution:

- ✧ Please use the recommended EPSON original ribbon to ensure the printing quality and lifetime of the printer transmission part.

2.5 Print and Tear-off Position

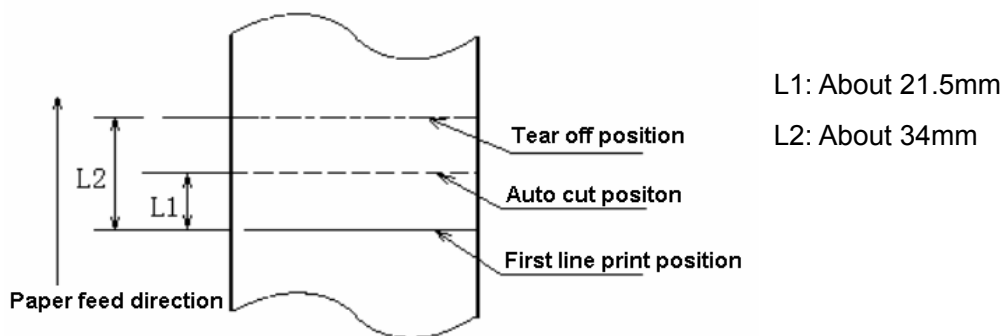
2.5.1 Print position



According to the different paper width of the L1, the print width (L2) and the left/right margin (L3/L4) should be changed as below:

Paper width (L1)	Print width (L2)	Left margin (L3)	Right margin (L4)
80/76mm	63.4mm	6.8mm	5.8mm
69.5mm	57mm	6.8mm	5.7mm
57.5mm	47.5mm	6.8mm	3.2mm

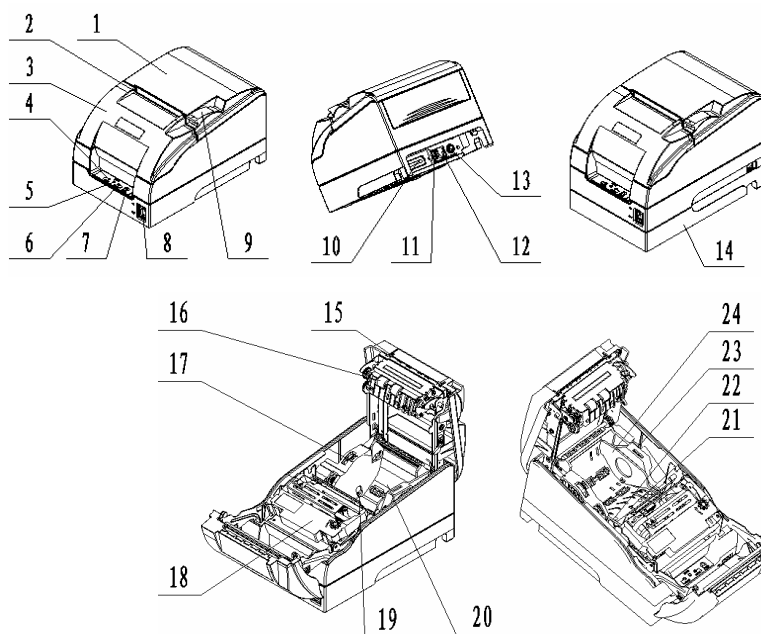
2.5.2 Tear-off position



3 Outline and Parts

3.1 Outline and Parts

- 1—Back cover
- 2—Tear-off bar
- 3—Front cover
- 4—POWER LED
- 5—ERROR LED
- 6—PAPER LED
- 7—FEED button
- 8—Power switch
- 9—Back cover latch
- 10—Communication interface
- 11—USB interface
- 12—Cash drawer connector
- 13—Power connector
- 14—Power pack(optional)
- 17—Paper near end sensor regulator
- 20—paper cabinet
- 23—Back cover sensor



- 15—Cutter sliding Blade
- 16—Platen roller
- 18—Ribbon
- 19—Paper near end sensor
- 21—Paper sensor
- 22—Mark sensor
- 24—Paper guide

Functions of parts:

1) POWER LED (4)

Indicate power status (on/off). When turning on printer, POWER LED is always on; when turning off printer, POWER LED is always off.

2) ERROR LED (5)

Indicate all error status. Under normal conditions, ERROR LED is always off; under error conditions, ERROR LED will flash

3) PAPER LED (6)

Indicate paper status of the printer. Under normal conditions, PAPER LED is always off; under paper end or paper near end conditions, it is always on

4) FEED button (7)

- Press the button while turning on the printer, a self-test page will be printed.
- In the normal status, press the FEED button for a short time, the printer will feed paper one line at a time. Under continuous paper mode, hold the FEED button, the printer will feed paper constantly. Under marked paper mode, it will feed paper to the next mark
- In HP error status, hold the FEED button for a long time, the printer will recover from HP error and start carriage verify check
- In cutter error status, hold the FEED button for a long time, the printer will recover from cutter error and start cut.
- In error status other than described above, press FEED button, the printer will have no action

5) Power switch (8)

Turn on/off the printer. "O" is to turn off the printer; "—" is to turn on the printer.

6) Back cover latch (9)

Catch back cover latch and pull it out to open the back cover.

7) Paper near end sensor (19)

Detect the status of paper roll. If paper near end, the PAPER LED will on, the ERROR LED will flash and indicate user to replace paper. The printer will continue printing until the paper is end.

8) Paper sensor (21)

Paper sensor is used to detect the printer with or without paper.

9) Mark sensor (22)

When using mark paper, mark sensor is used to detect mark.

10) Back cover sensor (23)

Back cover sensor is used to detect the position of the back cover.

11) Paper guide (24)

There are three long slots at the bottom of paper cabinet. The paper guide could be plugged in different slot which is suitable for different wide paper, such as 76.5 ± 0.5 mm, 69.5 ± 0.5 mm, 57.5 ± 0.5 mm. Without paper guide, paper width of the printer is 80 ± 0.5 mm.

**Caution:**

- ✧ The paper guide is a necessary part of the printer for adjusting paper width, please keep it carefully.

3.2 LEDs and Buzzer

The table below shows LEDs and buzzer in error status:

Error	Buzzer	ERROR LED	PAPER LED
HP error	Interval buzzing	Interval flash	Off
Print head overheated	Six sounds	Six times	Off
Abnormal voltage	Five sounds	Five times	Off
Cutter error	Four sounds	Four times	Off
Back cover up	Three sounds (S-S-S)	Three times	Off
Front cover up	Three sounds (S-S-L)	Three times	Off
Paper end	Two sounds	Two times	On
Paper near end*		One time	On
Pause to wait		Off	Flash

**Caution:**

- ✧ The printer checks the print head temperature via thermal resistor. If the print head is extremely overheated, the printer will stop printing.

4 Installing

4.1 Unpacking

When unpacking, you should check whether all parts are present and undamaged in accordance with the packing list. If any part is missing or damaged, please contact SNBC or your local agent.

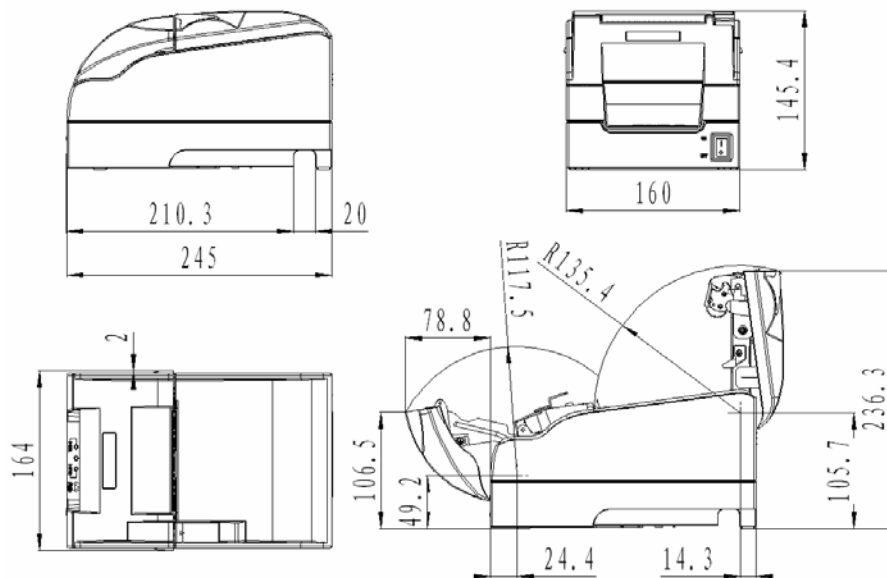
4.2 Mounting the Printer

BTP-M280 has two mounting modes: horizontal mounting and wall-mount.

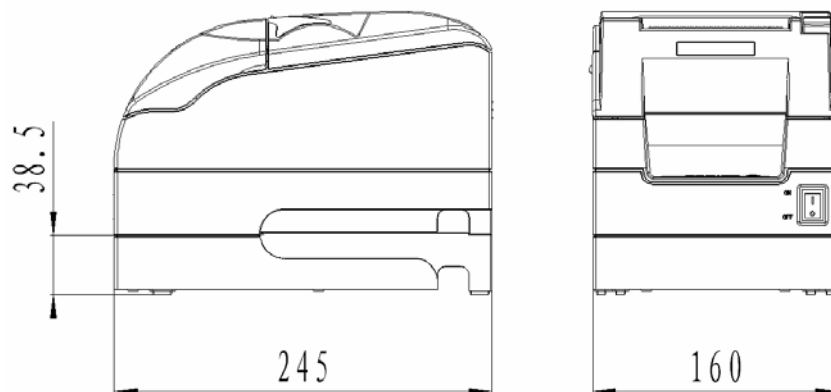
4.2.1 Horizontal mounting

The printer should be mounted on a flat and stable surface. For operation and maintenance, we suggest you reserve space below the printer to ensure its reliability and easy operation.

- BTP-M280 power supply external:



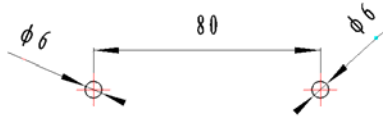
- The height of printer will increase 38.5mm while using power pack:



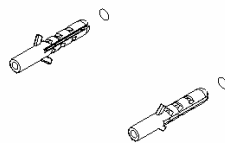
4.2.2 Wall-mounting (optional)

Wall-mount is an optional function. The wall-mount mode is shown as below.

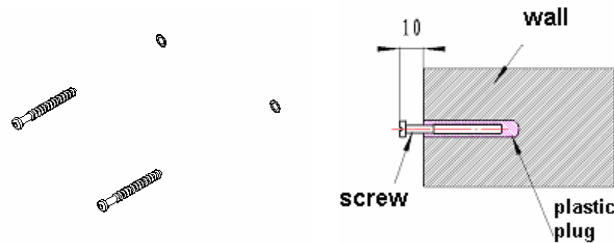
- 1) Two 50mm-deep holes should be made with a hammer-drill in a suitable wall, of the sizes shown below.



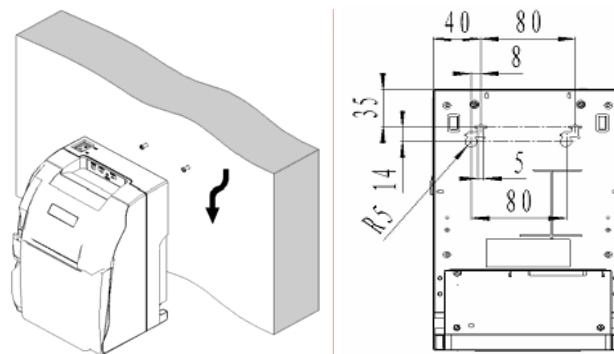
- 2) Insert plastic plugs and screws into $\Phi 6$ holes and ensure that the end sides of the plugs are flush with the surface of the wall.



- 3) Put the screws into plastic plugs with screwdriver, keeping a distance of 10mm between screw head and wall side.



- 4) Install the printer according to the arrowhead.



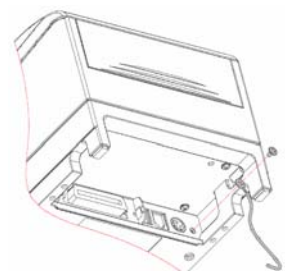
Caution:

- ✧ In case of wall-mount, the printer must be oriented upwards.
- ✧ The hook on the wall should be firmly positioned to avoid printer damage or risk of falling.

4.3 Connecting to a ground line

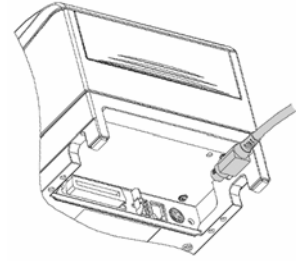
Printer housing should be grounded. Please ensure the material is AWG18 or equivalent.

- 1) Turned off the printer.
- 2) Loosen the ground line screw and connect it to back case of printer with screwdriver.



4.4 Connecting the Power Adapter

- 1) With the flat side of the power adapter's cable connector facing downward, insert the cable connector into the power connector on the backside of the printer.
- 2) Turn on the input power source of the adaptor.

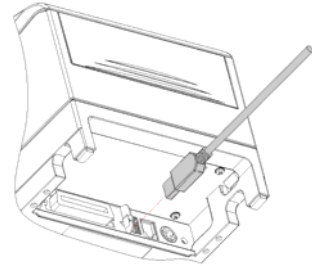


Caution:

- ✧ Use only the supplied power adapter or other equal model.
- ✧ When connecting or disconnecting cable connector of the power adapter, you should pull on the connector, not pull on the cable by force.
- ✧ Do not pull on the power adapter cord. Otherwise the cord may be damaged or broken, causing a risk of fire or electric shock.
- ✧ Do not place the power adapter cord near a heating device, otherwise, the cover of the cord may melt, causing a risk of fire or electric shock.
- ✧ When the printer is not used for a long period of time, disconnect the power adapter from the wall outlet for safety.

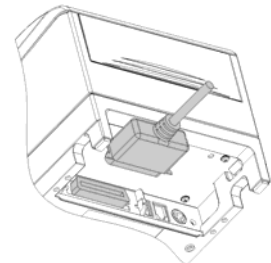
4.5 Connecting USB signal cable

- 1) Ensure the printer is turned off.
- 2) As shown the figure below, put the USB signal cable into the suitable USB interface.
- 3) Connect other end of USB signal cable to host.



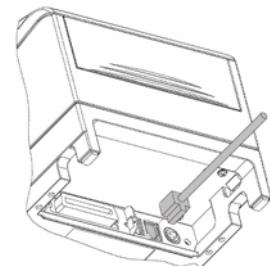
4.6 Connecting optional signal cable

- 1) Turned off the printer.
- 2) Put the signal cable into suitable connector and fix it with plug screw (or clip spring).
- 3) Connect other end of the signal cable to host.



4.7 Connecting the Cash Drawer

- 1) Turned off the printer.
- 2) Insert the cash drawer cable into the cash drawer connector on the backside of the printer.



Caution:

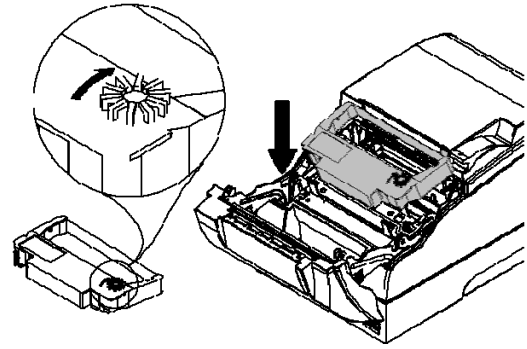
- ✧ Do not connect a telephone line to the cash drawer connector; otherwise the printer and the telephone line may be damaged.

4.8 Installing Ribbon

- 1) Ensure that ribbon type is standard ERC-38.
- 2) Open front cover of the printer as shown.



- 3) Turn the ribbon knob two or three times according to the mark to tighten the ribbon.
- 4) Refer to the figure to install ribbon to the correct position.
- 5) Turn the ribbon knob two or three times according to mark to tighten the ribbon again.



⚠ Caution:

- ✧ The print head will become hot during printing. To avoid harm or injury, please do not replace the ribbon until it cooled down.
- ✧ Ribbon should be mounted between print head and paper, without folds or drapes.

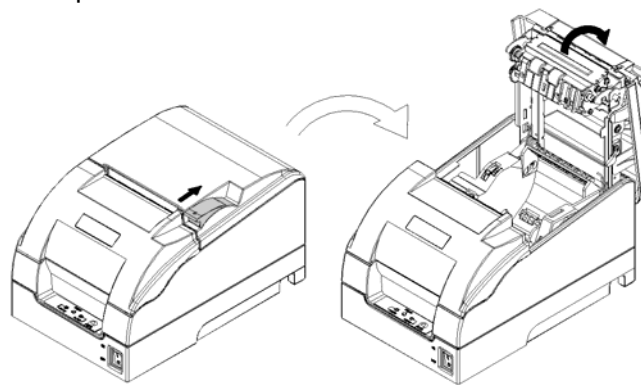
4.9 Loading Paper Roll

4.9.1 Paper type

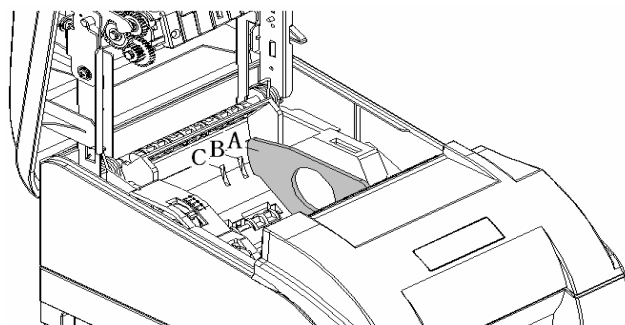
Before loading roll paper, you should confirm the type of the paper can be used for printer. The default paper type is continuous paper. If marked paper will be used, please contact your local dealer for assistance.

4.9.2 Loading/replacing paper roll

- 1) Press back cover button to open the back cover.



- 2) Hold the hole in the paper guide to install or offload it. When using 76mm, 69mm, 57mm width paper roll, user needs to insert paper guide vertically into a suitable location. When using 80mm width paper roll the paper guide doesn't need to be placed into the printer, but please keep it safely in case of using in the future.



⚠ Notes:

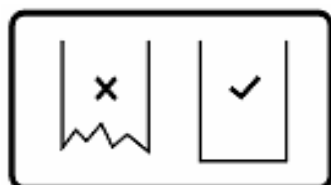
Without paper guide: 80±0.5mm

With paper guide: A: 76±0.5mm B: 69.5±0.5mm C: 57.5±0.5mm

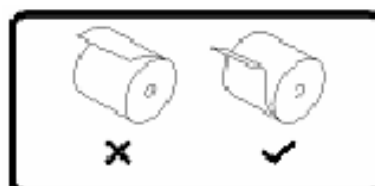
- 3) Ensure the paper head is trimmed and drop the paper roll into the paper cabinet.
- 4) Pull a certain length of paper along the paper-out direction, then close the back cover and tear off the surplus paper.

 **Caution:**

- ✧ User should adjust the paper guide according to the width of paper roll being used.
- ✧ Paper roll should be loaded as shown:



Trim paper head



Paper load mode

- ✧ Paper roll should be rolled tightly to eliminate risk of paper jam or other faults.
- ✧ Paper should be loaded in paper cabinet firmly and straight; otherwise, paper auto-load and print will be affected.
- ✧ The edge of the paper head is not allowed to deviate from the paper path.

4.10 Printer self-test

4.10.1 Turn on the printer

- 1) Ensure the printer is connected with power cable.
- 2) Press “—” of the power switch to turn on and initialize the printer.

4.10.2 self-test

- 1) Ensure the printer is connected with power cable; sufficient ribbon and paper roll have been loaded.
- 2) Ensure the printer is powered off.
- 3) Hold FEED button while pressing “—” of the power switch. After ERROR LED flashes once, release FEED button. The printer will print out configuration information and following information: “Press and Release FEED key to print characters” and “Press and Hold FEED key to configure the printer”, then enter hold-on status. The PAPER LED flashes.
- 4) Press the FEED button for a short time, the printer will print a second page with a pattern using the built-in character sets; press the FEED button for a long time, the printer will enter into button configuration mode. For detail function and operation method of button configuration mode, please contact your dealer.

4.11 Installing the Printer Driver

BTP-M280 printer offers the drivers under Windows 98/Windows NT4.0/Windows 2000/Windows XP/Windows server 2003/Windows Vista with the installing steps as below.

4.11.1 Typical setup

- 1) Run "Setup.exe" in the driver installing package and read the relative software licensing protocol carefully. If you accept it, please click "I Accept", then click "Next" button.



- 2) Select the model and the name of the printer to be installed. If you want to set it as default printer, please select "Set As Default Printer", then click "Next" button.



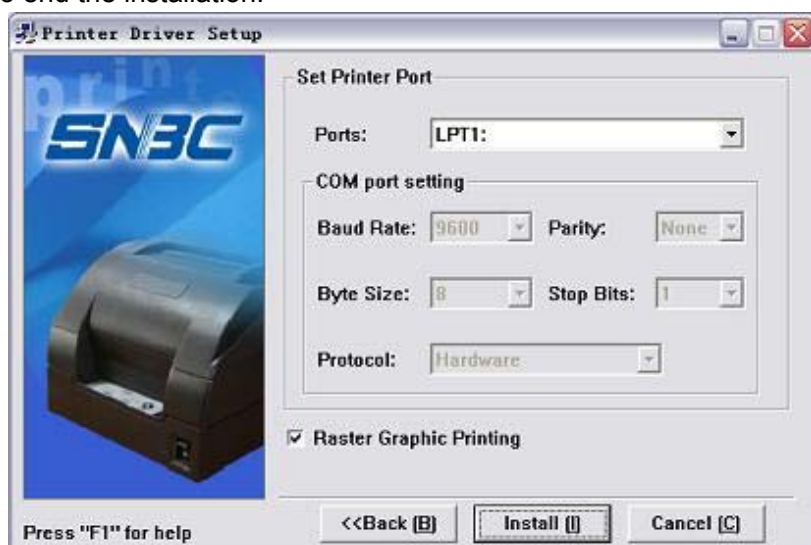
- 3) Select the setup type "Typical", then click "Next" button.



- Select the current system type and click "Next" button.



- 4) Set printer port. The default port is "LPT1". User can install it based on actual port. Under Windows NT4.0 or above, please select "BYCOMx" for serial driver (x equals to 1,2,3,4,5,6,7 or 8). Click "Finish" button to end the installation.



- 5) If the current system is Windows 98/Me, click "Yes" in the pop-up window to restart the computer.

4.11.2 Advanced setup

Advanced setup is mainly used for users who have special requirements for printer drivers. Compared with typical setup, advanced setup can support the divers installation of Multi USB printers and has the function of printer driver mode setting. Setup steps are as follows.

- 1) Run "Setup.exe" in the driver installing package and read the relative software licensing protocol carefully. If you accept it, please click "I Accept", then click "Next" button.



- 2) Select the model and the name of the printer to be installed. If you want to set it as default printer, please select "Set As Default Printer", then click "Next" button.



- 3) Select the setup type "Advanced", then click "Next" button.



- 4) Select the current system type and click "Next" button.



- 5) Set driver mode and printer port of the printer. Default settings are: port is "LPT1" as default port and supporting Multi USB printers. Click "Finish" to end the installation.



- 6) If the current system is Windows 98/Me, click "Yes" in the pop-up window to restart the computer

4.11.3 Installing the USB device driver

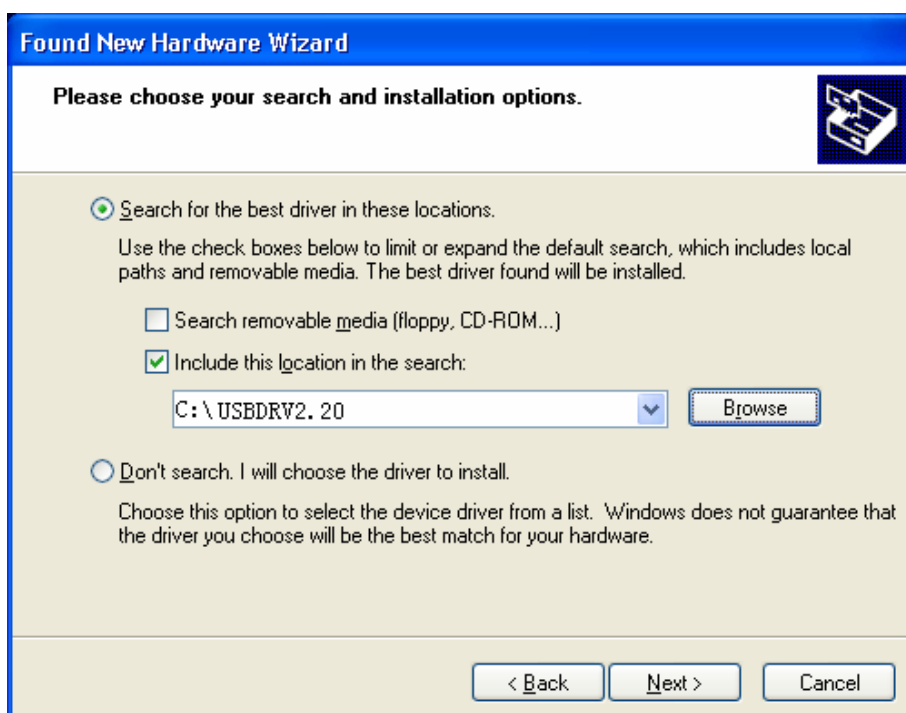
If printer is using a USB interface to communicate, before installing the printer driver, the user needs to install the USB device driver first. The steps for installing the USB device driver are as follows: (Take XP system as example for detailed introduction)

➤ Windows XP system

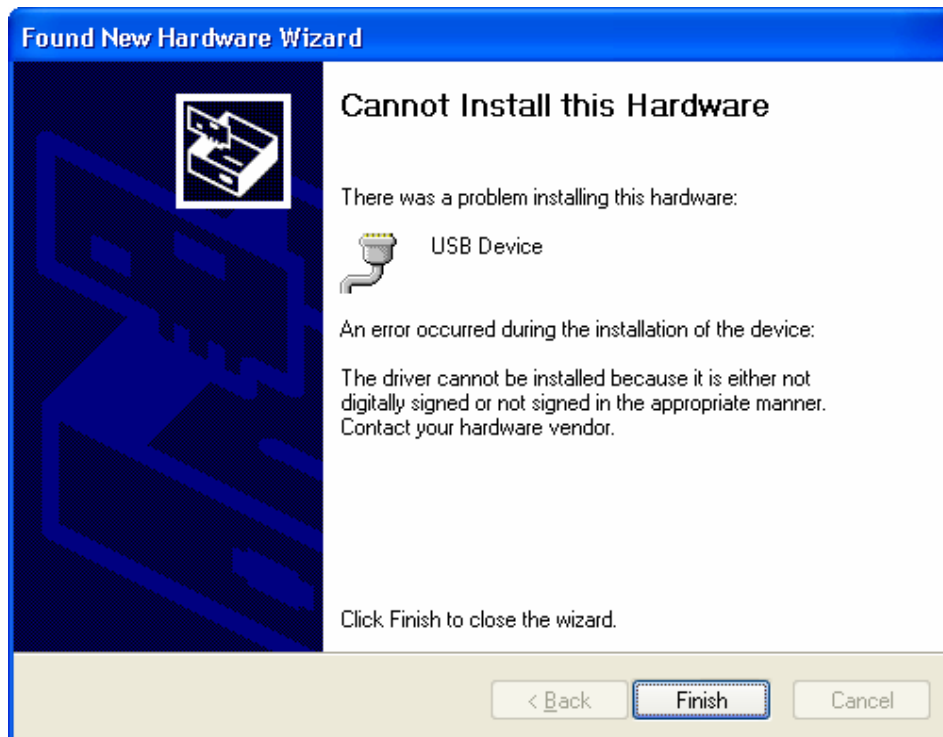
- 1) Connect the printer USB interface with idle USB PC interface using USB cable. System will recognize USB device automatically and popup "Add New Hardware Wizard". Select "Install from a list or specific location", then click "Next".



- 2) Select "Search for the best driver in these locations" and "Include this location in the search", then Click "Browse..." to browse the driver document. Default directory is "Driver installing package\USBDRV2.20. Then click "Next".



- 3) Click "Continue Anyway" on the digital signature interface.
- 4) Click on "Finish" to end the installation.



➤ **Windows 98/Me system**

- 1) Connect USB interface of the printer with idle USB interface of the PC Using USB cable. System will recognize USB device automatically and popup "Add New Hardware Wizard", then click "Next".
- 2) Select "Search for the newest driver for your device", then click "Next".
- 3) Select "Specify a location", click "Browse" button to browse the driver document. Default directory is "driver installing package\USBDRV2.20", then click "Next".
- 4) The wizard will indicate the device driver's name that have found. Then click "Next".
- 5) Click "Finish" to end the installation.

➤ **Windows 2000 system**

- 1) Connect USB interface of the printer with idle USB interface of the PC Using USB cable. System will recognize USB device automatically and popup "Add New Hardware Wizard", then click "Next".
- 2) Select "Search for the best driver for your device", click on "Next"
- 3) Select "Specify a location", then click "Next".
- 4) Click "Browse" button to browse the driver program. Default directory is "Drivers installing package\USBDRV2.20".
- 5) The wizard will indicate the device driver's name that have found. Then click "Next"
- 6) Click "Yes" on the digital signature interface.
- 7) Click "Finish" to end the installation.

➤ **Windows Server 2003 system**

- 1) Connect USB interface of the printer with idle USB interface of the PC Using USB cable. System will recognize USB device automatically and popup "Add New Hardware Wizard". Select "Install from a list or specific location", then click "Next".

- 2) Select "Search for the best driver in these locations" and "Include this location in the search", then Click on "Browse..." to browse the driver program. Default directory is "Driver installing package\USBDRV2.20. Then click "Next".
- 3) Click "Continue Anyway" on the digital signature interface.
- 4) Click "Finish" to end the installation.

 **Caution:**

- ✧ Under operating systems Windows XP and Windows Server 2003, if other USB interfaces of PC connected to USB interface of printer firstly. The system will also Pop-up "Add New Hardware Wizard". If you have already installed USB device driver according to above steps, select "Automatic installation" and click "Next", the wizard will search driver automatically, then the digital signature interface will pop-up. Click on "Yes", and click "Finish" to end the installation.

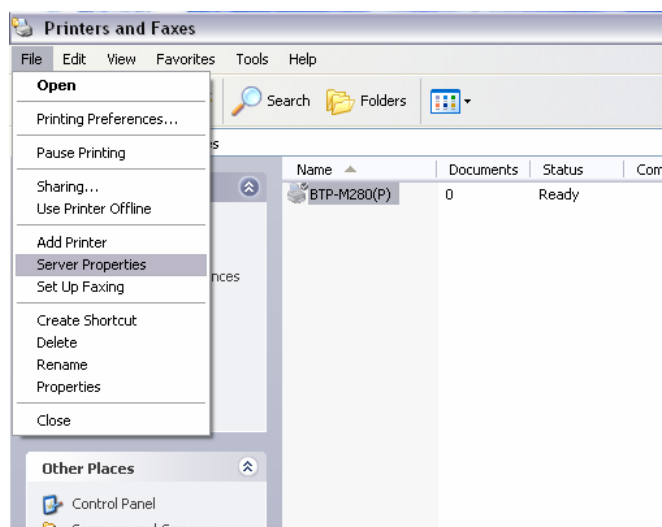
4.12 How to Use the Driver

After installing the driver, you can print all characters and images in WORD, EXCEL or other file in Windows programs, That is "What You See Is What You Get". In order to print normally, you should set the page and select parameters properly.

4.12.1 User defined page

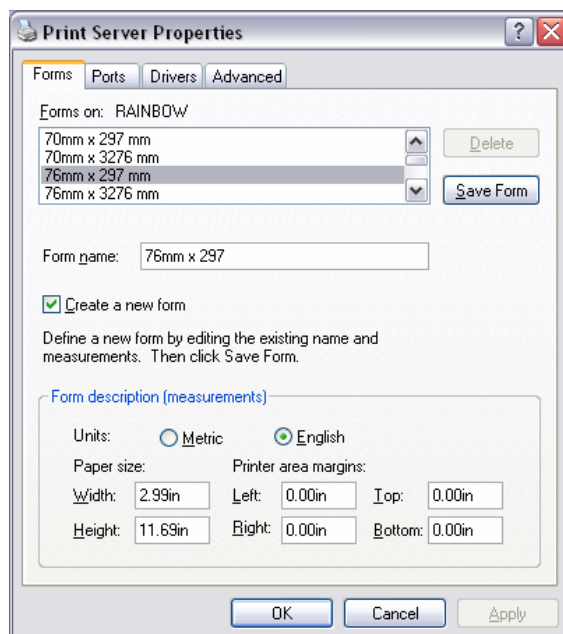
If the page size defined by the driver can not meet user's requirement, user can define the page size; under Window 98 system, user defined page can be defined via page settings. But under Windows NT4.0/ Windows 2000/ Windows XP/ Windows server 2003/Vista, user cannot define page size via page settings. The following steps introduce how to define page size (take Windows XP system as an example):

- 1) Ensure the system running normally.
- 2) Click "Start" button.
- 3) Click "Printers and faxes" in "Settings" item; or first click "Control panel" button, then click "Printers and other hardware" in "Control panel", next click "Printers and faxes" button.
- 4) After selecting BTP-M280, click "File" menus, then click "Service Properties" submenus



- 5) In "Forms" item, select "Create a new form".
- 6) Define a name of self-defining paper in "Form name".

- 7) Take metric CM as measurement units. Define paper width, length, right/left and up/down margin of the printing area according to user's own need.



- 8) Click "Save Form" button to save the form.
 9) Click "Apply" button to finish paper self-definition



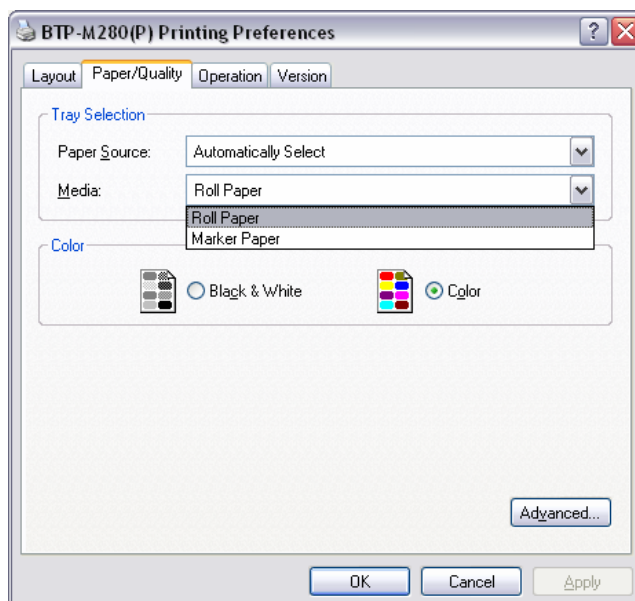
Caution:

- ✧ Before setting user defined page, please ensure that the printer driver has been installed properly.
- ✧ In application, you can select the page in varieties of official software such as WORD, EXCEL and so on.

4.12.2 Parameter explanation

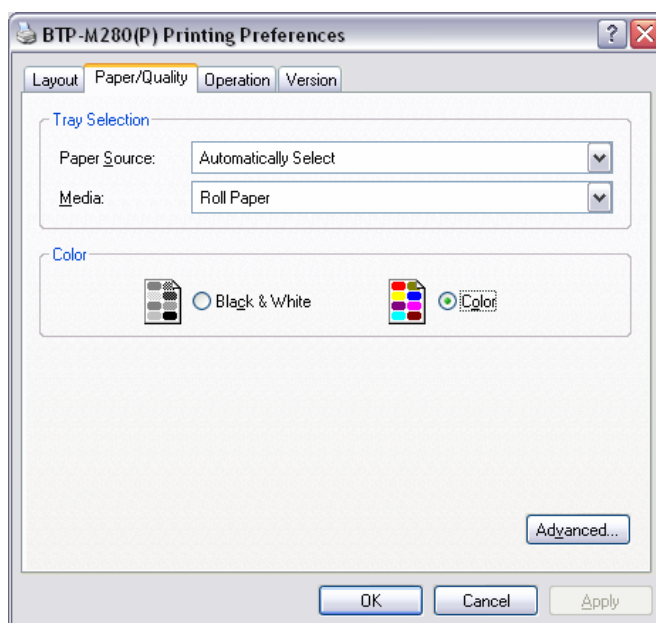
The driver offers cut mode, paper type and cash drawer functions for users to use. Users can configure the parameters according to their needs. Take Windows XP system as an example to describe how to set the driver parameters.

➤ **Setting paper type**



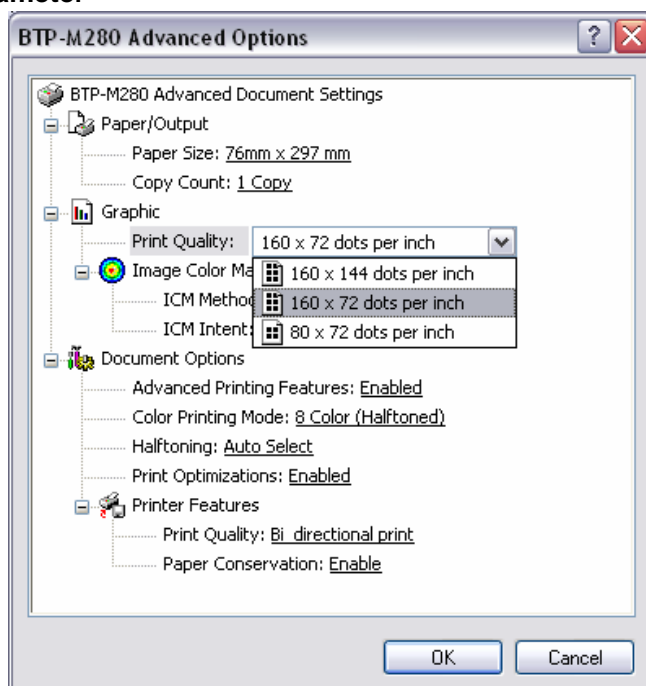
Optional paper type: roll paper and marked paper

➤ **Color choose**



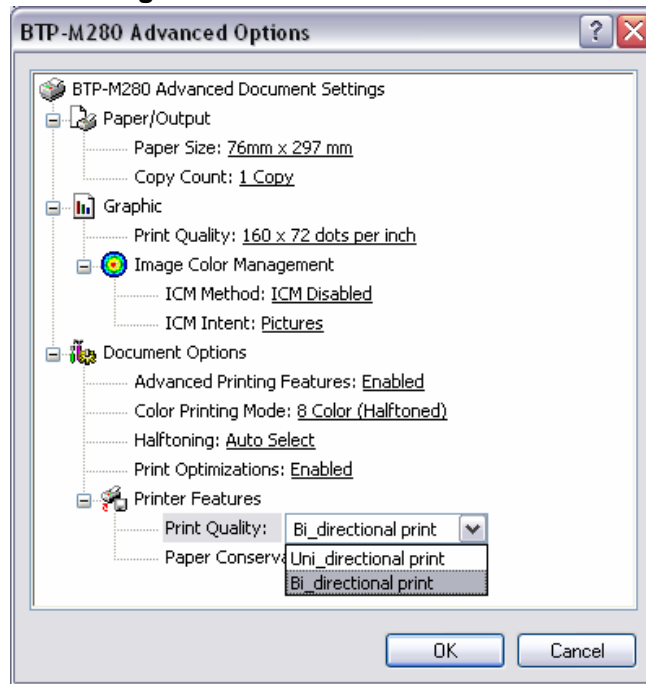
In this option, user can choose Color or black and white. Only when user chooses Color they can print two colors.

➤ **Setting resolution parameter**



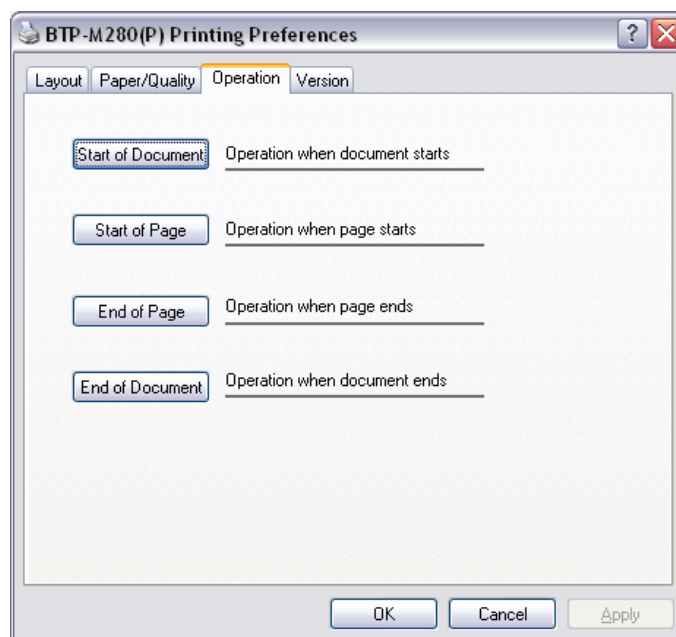
BTP-M280 driver supports three kinds of resolutions: 160 x 144 dpi, 160 x 72 dpi, 80 x 72 dpi. Users can select it according to their own need. High resolution has clear printing while lower print speed; low resolution has higher print speed while less clear printing.

➤ **Single/ Bi-directional print setting**



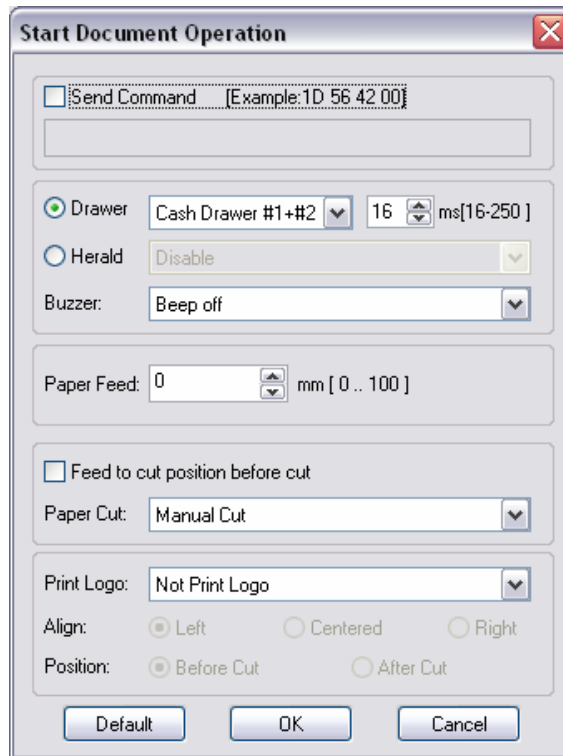
Set single/bi-directional print settings via this option.

➤ **Operation option**



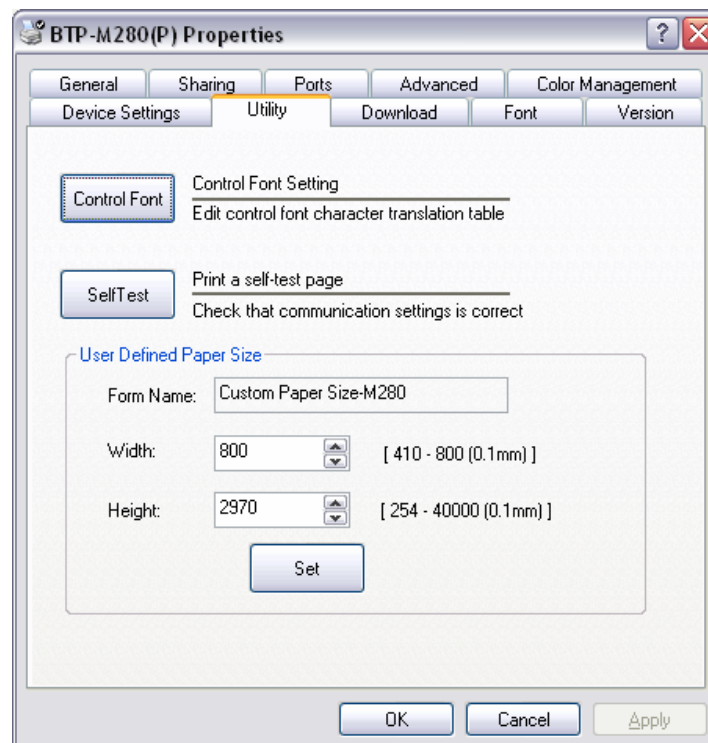
User can set different setting of page via this option: start of document, start of page, end of page, end of document.

➤ **Document setting option**



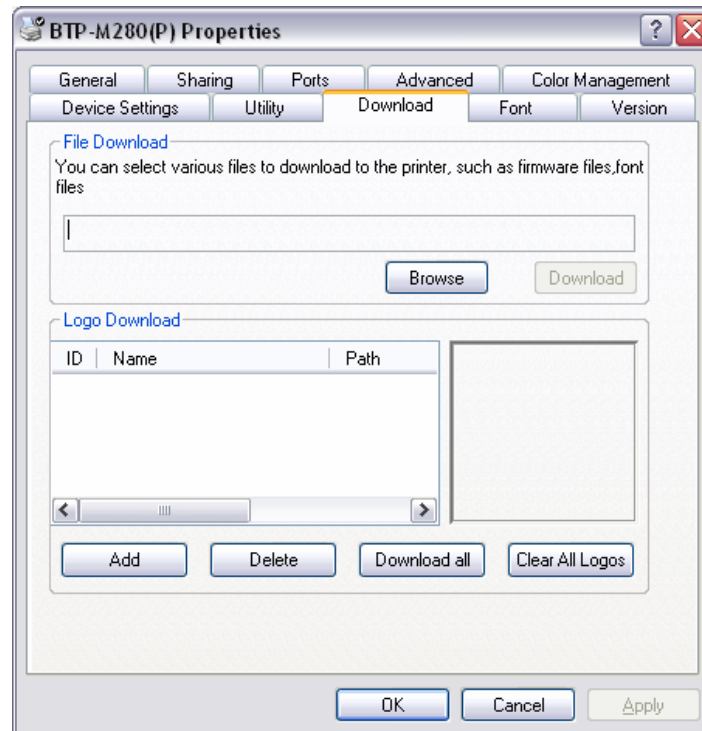
User can set parameters via this option on the start of document, end of document, start of page and end of page; Cash drawer (Cash drawer1, Cash drawer2, Cash drawer1+2, print messenger Herald) and Cash drawer pulse width; Buzzer (Buzz 200ms, 600ms, 1s, 2s, 4s); paper feed; paper cut (paper cut by hand, partial cut, full cut), print Logo bitmap.

➤ **Utility**



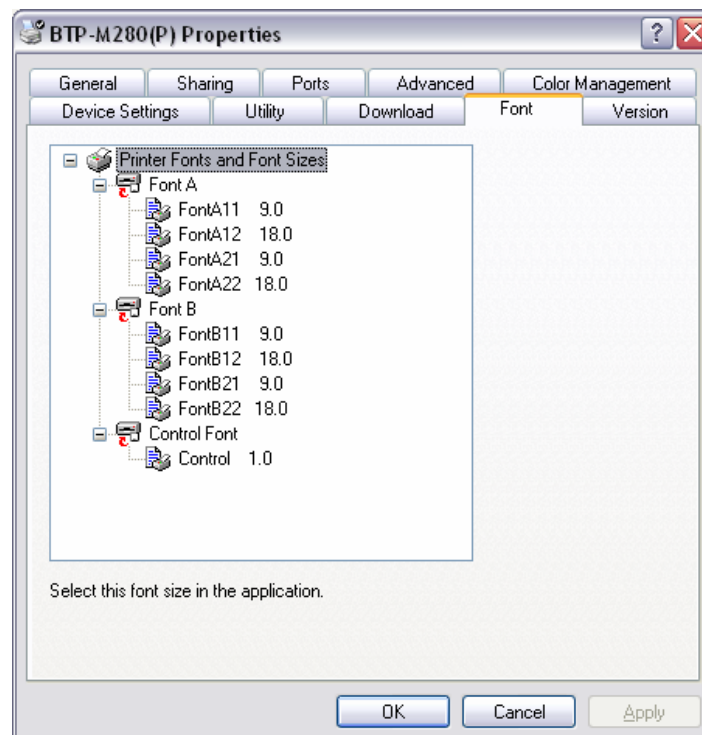
User can set control font and print self test page via this option, at the same time user can set user-defined page size.

➤ Download



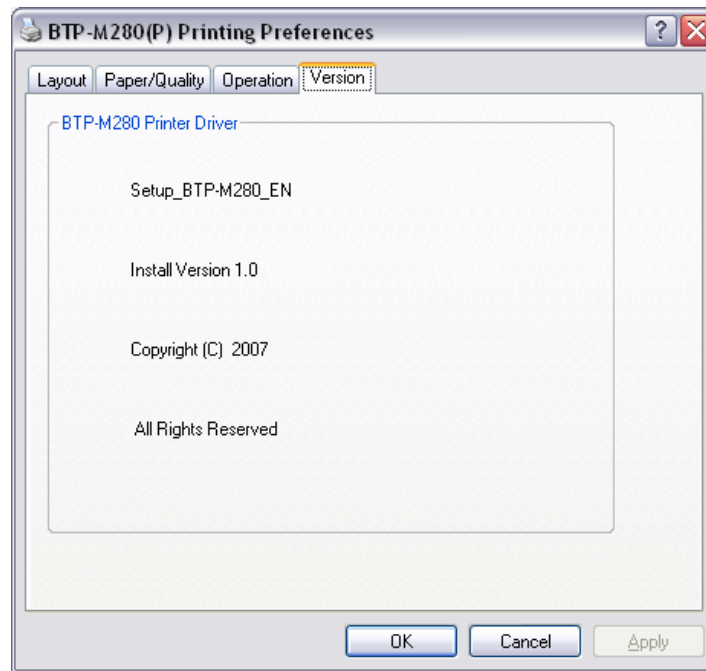
User can download firmware and Logo via this option.

➤ Font



User can select driver supported font and font size via this option.

➤ **Version information**



User can see the printer driver version information via this option.

5 Maintenance

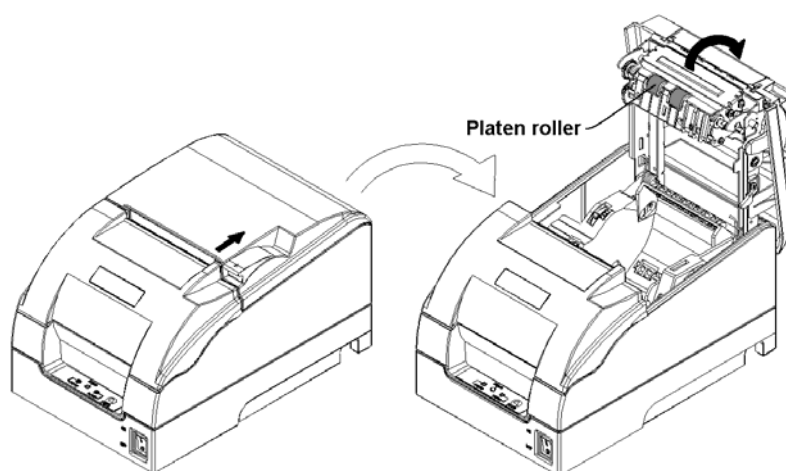
Caution:

- ✧ For daily maintenance be sure the printer is turned off.
- ✧ Do not use gasoline, acetone or other organic liquids to clean any parts of the printer.
- ✧ When cleaning the sensor, please leave the printer off until the alcohol completely dried.
- ✧ Recommended maintenance cycle shall be no longer than a month.

5.1 Roller cleaning

Steps for roller cleaning are as follows:

- 1) Turn off the printer power.
- 2) Pull the latch to open the back cover, as shown in the figure:



- 3) Keep the back cover open, clean the dust and duty on the platen roller using a soft cotton cloth with little moderate cleanser.
- 4) Wait until the cleanser is completely evaporated then close the back cover and finish roller cleaning.

5.2 Mark sensor cleaning

If the printer does not identify the mark effectively, you should clean the mark sensor:

Steps for mark sensor cleaning are as follows:

- 1) Turn off the printer.
- 2) Pull the latch to open the back cover of the printer.
- 3) Keep the back cover open, clean the dust and dirt off the mark sensor using a soft cotton cloth with a little alcohol.
- 4) Wait until the anhydrous alcohol completely evaporated then close the back cover and finish mark sensor cleaning.

5.3 Clear paper jam

When the printer in one the following situations, you should clear the paper jam:

- Paper can not get out normally.
- Excessive noise occurs with paper feeds.

Steps for cleanup paper jam are as follows:

- 1) Turn off the printer
- 2) Pull the latch to open the back cover of the printer
- 3) Check if there is any paper in the paper path, if necessary, clear the jammed paper.
- 4) Close the back cover and finish clearing paper jam.

6 Interface Signal

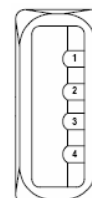
The BTP-M280 can be connected with other devices via USB, parallel, serial, Ethernet and WLAN interface, USB interface is a fixed interface of the printer and other interfaces are optional.

6.1 USB interface

The printer USB interface supports USB1.1 protocol, of which the outlet is USB A type.

Interface signal is defined as below:

Pin	Lead
1	VCC
2	DATA-
3	DADA+
4	GND



6.2 Parallel interface

The parallel interface of printer is bi-directional and supports the BUSY/ACK handshake protocol and the nibble protocol. The interface outlet is 36PIN CENTRONICS.

Pin	Signal resource	Signal definition	Pin	Signal resource	Signal definition
1	H	nStrobe	19		Signal Ground
2	H	Data 0 (Least Significant Bit)	20		Signal Ground
3	H	Data 1	21		Signal Ground
4	H	Data 2	22		Signal Ground
5	H	Data 3	23		Signal Ground
6	H	Data 4	24		Signal Ground
7	H	Data 5	25		Signal Ground
8	H	Data 6	26		Signal Ground
9	H	Data 7 (Most Significant Bit)	27		Signal Ground
10	P	Ack	28		Signal Ground
11	P	Busy	29		Signal Ground
12	P	PError	30		Signal Ground
13	P	Select	31	H	nInit
14	H	nAutoLF	32	P	nFault
15		Not defined	33		Signal Ground
16		Logic Gnd	34		Not defined
17		Chassis Gnd	35		Not defined
18	P	Peripheral Logic High	36	H	nSelectIn

Caution:

- ✧ H means signal source from a host, and P means signal source from printer.

6.3 Serial interface

The printer serial interface is compatible with RS-232 standard, of which the outlet is 25PIN female D type.

Pin	Signal definition
1	Frame ground
2	TXD
3	RXD
4	RTS
5~6	Not connected
7	Signal Ground
8~19	Not connected
20	DTR
21~25	Not connected

User can query interface settings status via a printing configuration sample. The default setting is as follows:

Baud rate: 9600bps
 Data bit: 8bits
 Parity bit: None
 Stop bit: 1 bit
 Flow control: DTR/DSR

6.4 Ethernet

1) Interface features

- Support of 10BASE-T communication
- Compatible with Ethernet II standard frame type.
- Indicator shows network connecting status and data transmission status
- Supports 9100 port print
- Supports status back
- Supports parameter configuration
- Supports firmware update on-line
- Supports printer status query and interface module maintenance based on HTTP.

2) Protocols Supported:

- IP
- ARP
- ICMP
- TCP
- UDP
- DHCP
- TFTP
- HTTP

3) Electrical features

➤ Output signal:

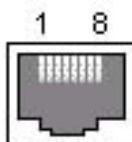
The available differential mode voltage is more than 450mV, and peak voltage is less than 13V.

The common mode AC peak voltage is less than 2.5V.

➤ Input signal:

The differential mode voltage that more than 160mV is identified as available signal

4) Interface shall use RJ45 outlet which accord with 10BASE-T standard of IEEE802.3.



5) Interface signal definition

Pin	Signal name	Instruction
1	TX+	Data transmission+
2	TX-	Data transmission-
3	RX+	Data receiving+
4	NC	Reserve
5	NC	Reserve
6	RX-	Data receiving-
7	NC	Reserve
8	NC	Reserve

6.5 WLAN Interface Board

1) Interface features

- Supports 802.11b, 802.11g protocol
- Supports 9100 port printing,LRP printing
- Supports status back
- Supports parameter configuration
- Supports Firmware update on-line
- Supports HTTP protocol

2) Protocols supported

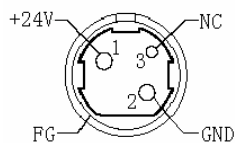
- IP
- ARP
- ICMP
- TCP
- UDP
- DHCP
- TFTP
- HTTP

For detailed specification, please refer to User Manual Of WLAN Interface Module.

6.6 Power interface definition

1) Pin definition

- 1: Positive pole (+24V)
- 2: Cathode (GND)
- 3: NC



2) Interface type

- Printer end should use: Unetop DC-002 or equivalent product.
 User end should use: Unetop DP-002 or equivalent product.

6.7 Cashdrawer definition

1) Electrical features

- Driving voltage: DC 24 V
- Driving current: Max 0.8 A (within 510 ms)
- Cash drawer status inspection signal:
 - “L” = 0~0.5 V
 - “H” = 3~5 V

2) Cash drawer interface outlet uses RJ11 6P connector.



3) Interface signal definition

Items	Signal	Functions
1	FG	Frame Ground
2	DRAWER 1	Cash drawer 1 driving signal
3	DRSW	Cash drawer status test signal
4	VDR	Cash drawer driving power
5	DRAWER 2	Cash drawer 2 driving signal
6	GND	Circuit share ground



Caution:

- ✧ Do not connect or disconnect signal cable when printer power is on.
- ✧ Signal cable should be far away strong current.
- ✧ Signal cable should be far away from strong current sources.

7 Troubleshooting

In case of printer fault, consult this section for solutions and advice.

If you do not find a solution in this section, please contact your local dealer for assistance.

7.1 Cutter error troubleshooting

When cutter fails to recover due to paper jam or sudden off-line status, perform the following actions:

- 1) Turn off power of the printer.
- 2) Pull the latch to open the back cover of the printer.
- 3) Power on the printer, the cutter will be reset automatically.



Caution:

- ✧ To avoid injury, please do not touch the sliding blade of the cutter when printer is power on.

7.2 Printer doesn't Work

Problems	Possible causes	Solution
LED is off and the printer doesn't work	Printer power is off	Make sure that printer cable has been connected properly on both ends.
	Printer is not turned on	Turn on printer.
	Circuit is damaged	Contact your local dealer.

7.3 Error LED and Buzzer

Problems	Possible causes	Solution
Error LED flashes and buzzer beeps	Paper near end	Replace roll paper.
	Paper end	Replace roll paper.
	Back cover up	Close back cover.
	Cutter error	Refer to 7.1 Cutter error troubleshooting .
	Input voltage abnormal	Turn off printer power and check input voltage.
	Print head overheated	Turn off printer power and wait until the print head turn to normal temperature.
	HP error	
		Press & hold FEED button or power on the printer again.

7.4 Problems during Printing

Problems	Possible causes	Solution
Printout is light and not clear	Ribbon ink is out	Replace ribbon.
Always feed paper in printing	Confirm if paper type matches with the paper used	Replace with correct roll paper.
Printout is not clear or dirty	Print head or paper feed platen is dirty	Clean print head or paper feed platen.
Paper cannot be fed normally	Paper jam	Open back cover to check paper path and remove paper jam.
Horizontal printout is missing	Ribbon is damaged	Replace ribbon.
	Print head error	Contact your local dealer.

7.5 Problems during Using Driver

Problems	Possible causes	Solution
Printer can not print when using USB interface	Device driver is not installed.	Refer to 4.11.3 Installing the USB device driver.
Print mass code with serial interface	Configure serial parameter incorrectly	Print a self-test page to confirm serial configuration of the current printer and configure it correctly.
Can not print two color	Parameter of the printer not correct	Configure two color printing please refer to 4.11.2 Parameter explanation .
	Used one color ribbon	Change to two color ribbon.
Black mark fails to be positioned normally	Page settings are not correct	Select correct paper type in the document setting option.
Printer can not work normally under serial, parallel interface	Overtime setting is too short	Extend the overtime of serial and parallel communication referring to the help file in the package.
	Current port is occupied.	Close other programs which use the port.